

## Varaosakuvasto / Spare parts

MCR vakiohuoneet / MCR modular step-in cold rooms

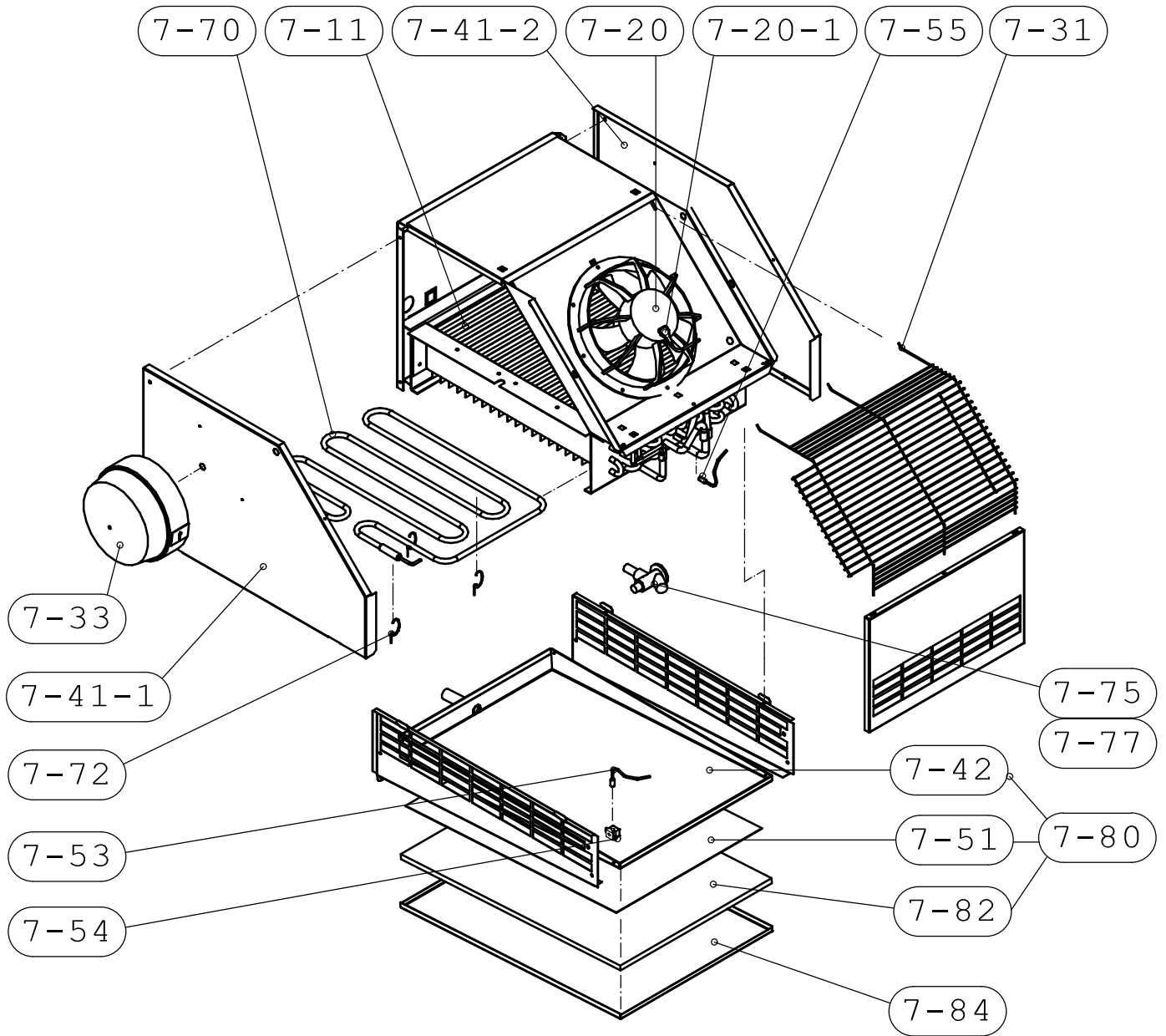




## SISÄLLYSLUETTELO, CONTENTS

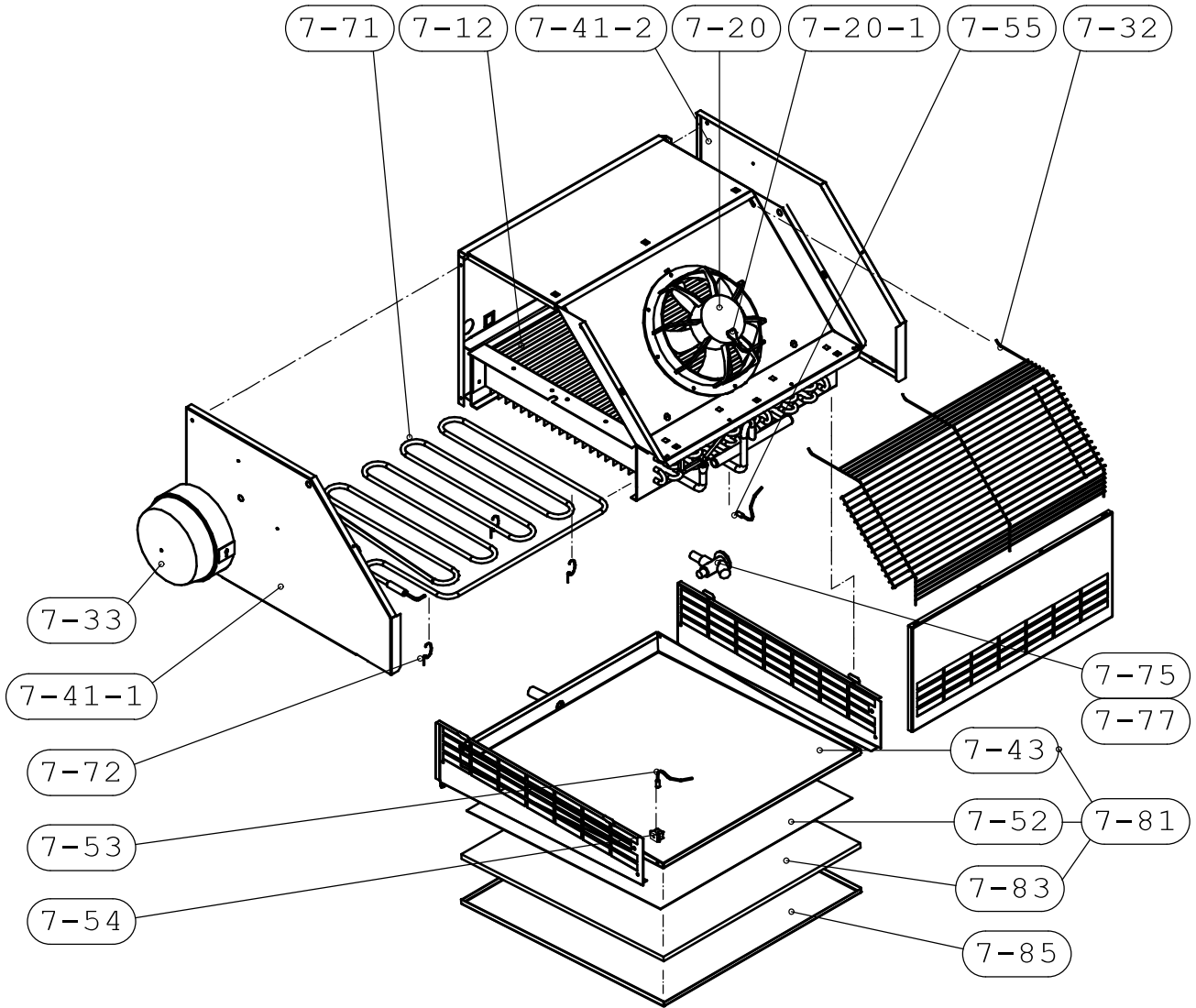
HÖYRYSTINMODUULI, EVAPORATOR MODULE C940, M940, F840, C950, M950, F850, F851	4
HÖYRYSTINMODUULI, EVAPORATOR MODULE F1140	6
HÖYRYSTINMODUULI, EVAPORATOR MODULE C1240, C1250, M1240, F1540/F1541, F1551	8
HÖYRYSTINMODUULI, EVAPORATOR MODULE C950B, F850B, F851B	10
LAUHDUTINMODUULI, CONDENSER MODULE C940, M940	12
LAUHDUTINMODUULI, CONDENSER MODULE F840	14
LAUHDUTINMODUULI, CONDENSER MODULE C1240	16
LAUHDUTINMODUULI, CONDENSER MODULE F1140, M1240	18
LAUHDUTINMODUULI, CONDENSER MODULE F1541	20
LAUHDUTINMODUULI, CONDENSER MODULE C940 RHDS, M940 RHDS	22
LAUHDUTINMODUULI, CONDENSER MODULE F840 RHDS	24
LAUHDUTINMODUULI, CONDENSER MODULE C1240 RHDS, M1240 RHDS	26
LAUHDUTINMODUULI, CONDENSER MODULE F1140 RHDS	28
LAUHDUTINMODUULI, CONDENSER MODULE F1541 RHDS	30
LAUHDUTINMODUULI, CONDENSER MODULE C950, M950, F850, F851	32
LAUHDUTINMODUULI, CONDENSER MODULE C950B RHDS, F850B RHDS, F851B RHDS	34
LAUHDUTINMODUULI, CONDENSER MODULE C950B RHDS, F850B RHDS, F851B RHDS	35
SÄHKÖOSAT, ELECTRICAL PARTS F840, M940, C950, M950, F850, F851	36
SÄHKÖOSAT, ELECTRICAL PARTS F1140, F1541, C1240, M1240	38
KESKUSKONEELLISET MALLIT KK, CENTRAL UNITS CC	40
MUISTIINPANOJA, NOTES	42

HÖYRYSTINMODUULI, EVAPORATOR MODULE C940, M940, F840, C950, M950, F850, F851



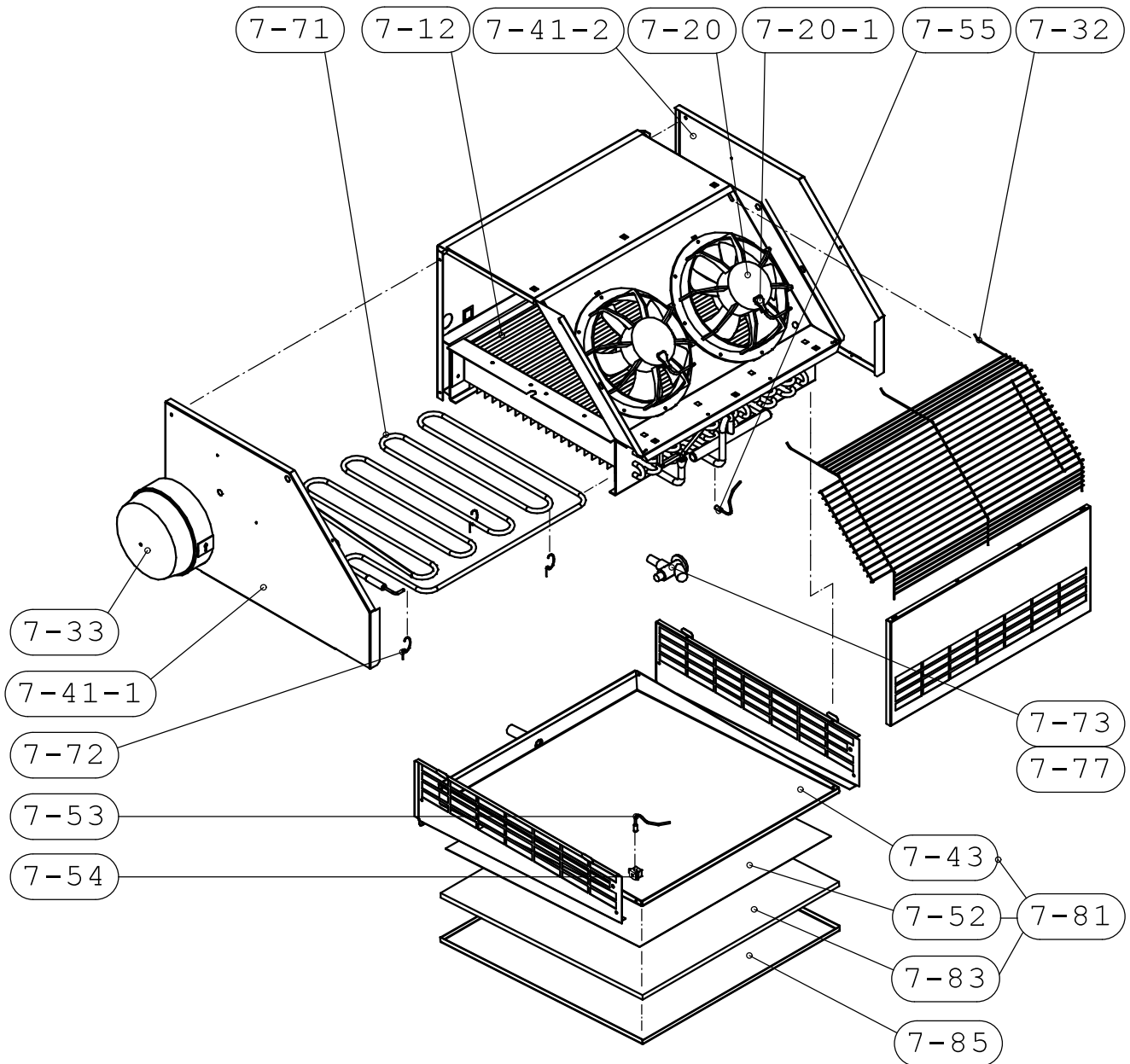
VH1550

HÖYRYSTINMODUULI, EVAPORATOR MODULE F1140



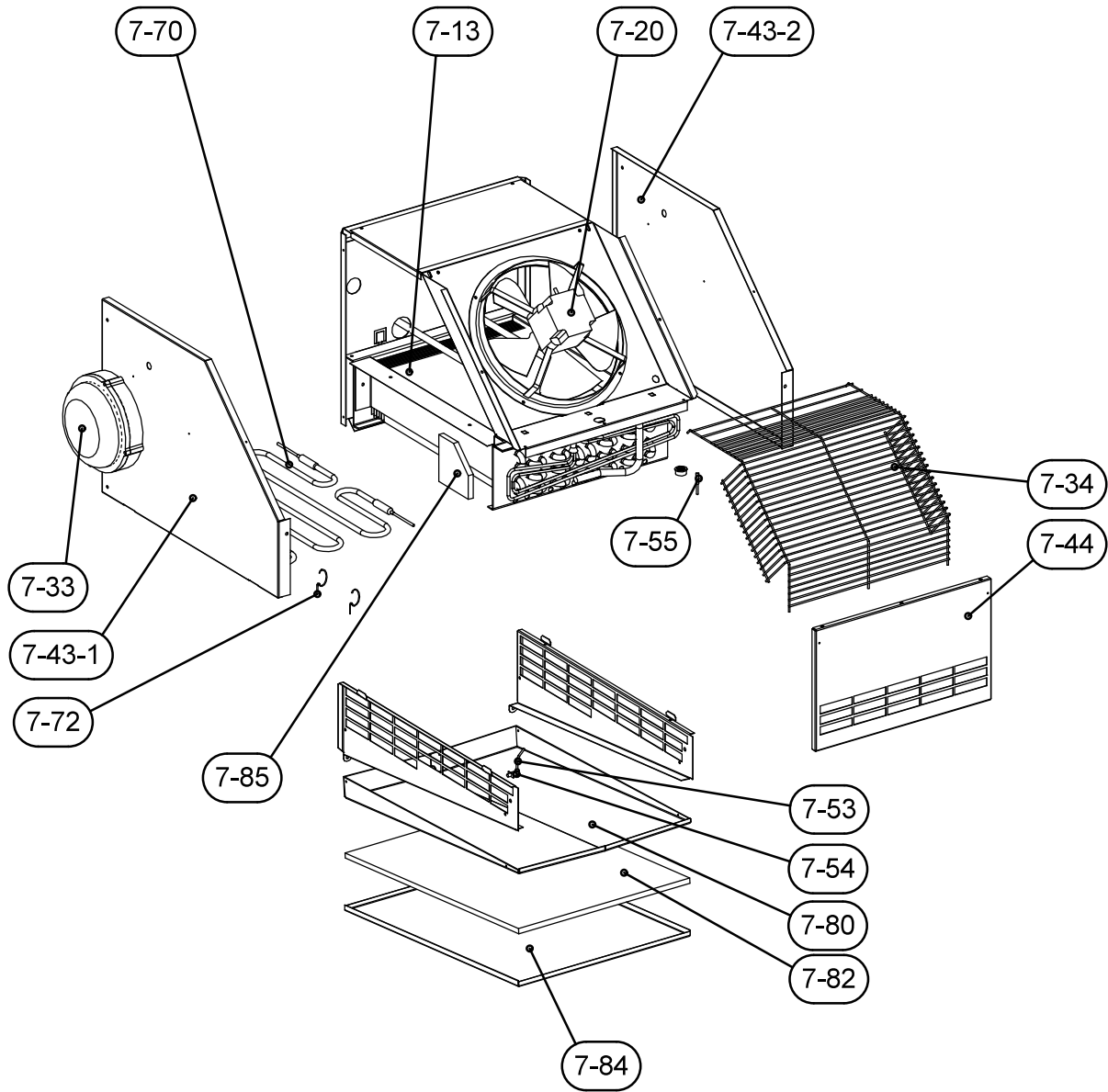
VH1551

HÖYRYSTINMODUULI, EVAPORATOR MODULE C1240, C1250, M1240, F1540/F1541, F1551



VH1552 B

## HÖYRYSTINMODUULI, EVAPORATOR MODULE C950B, F850B, F851B

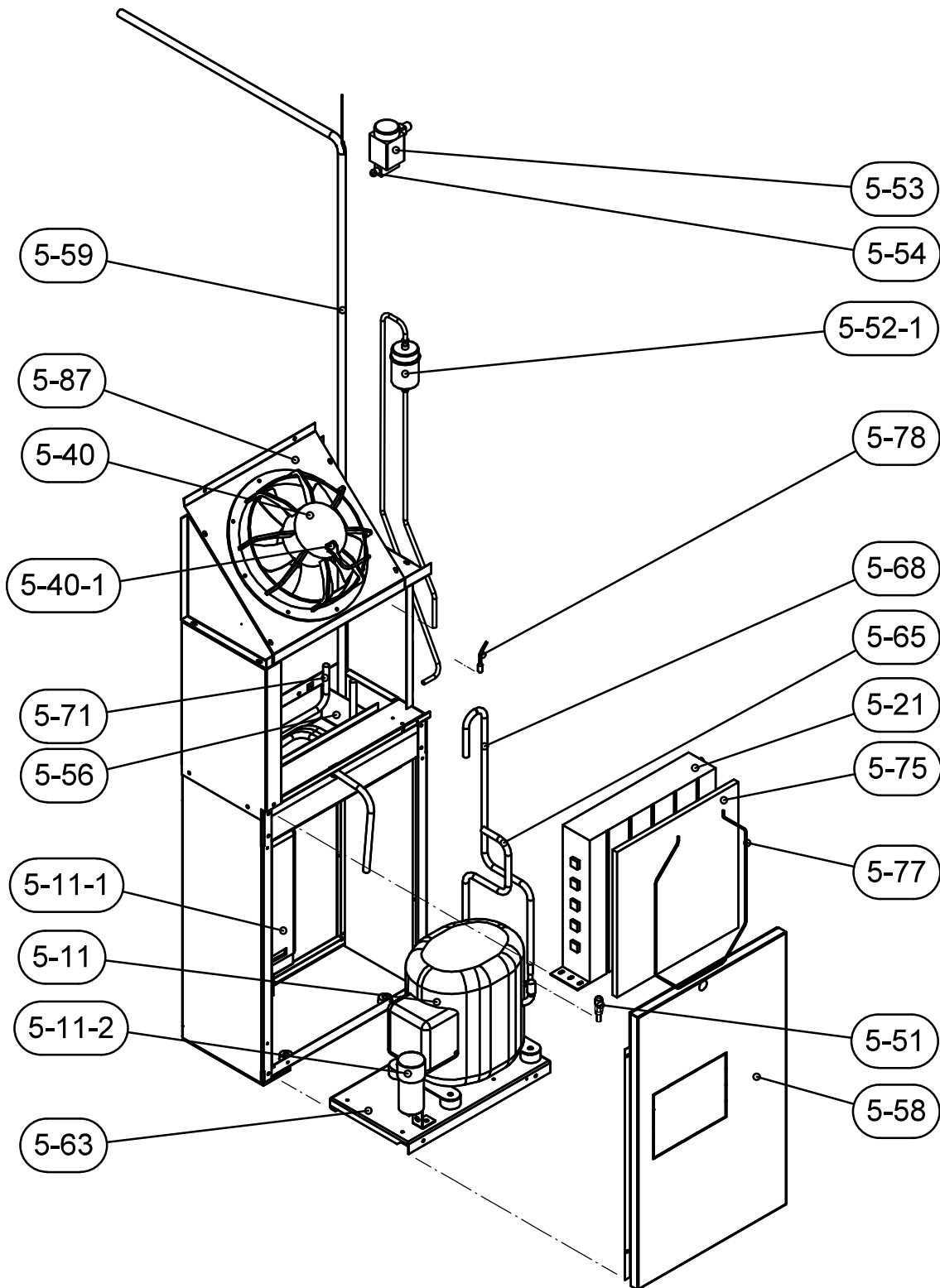


VH2685

L

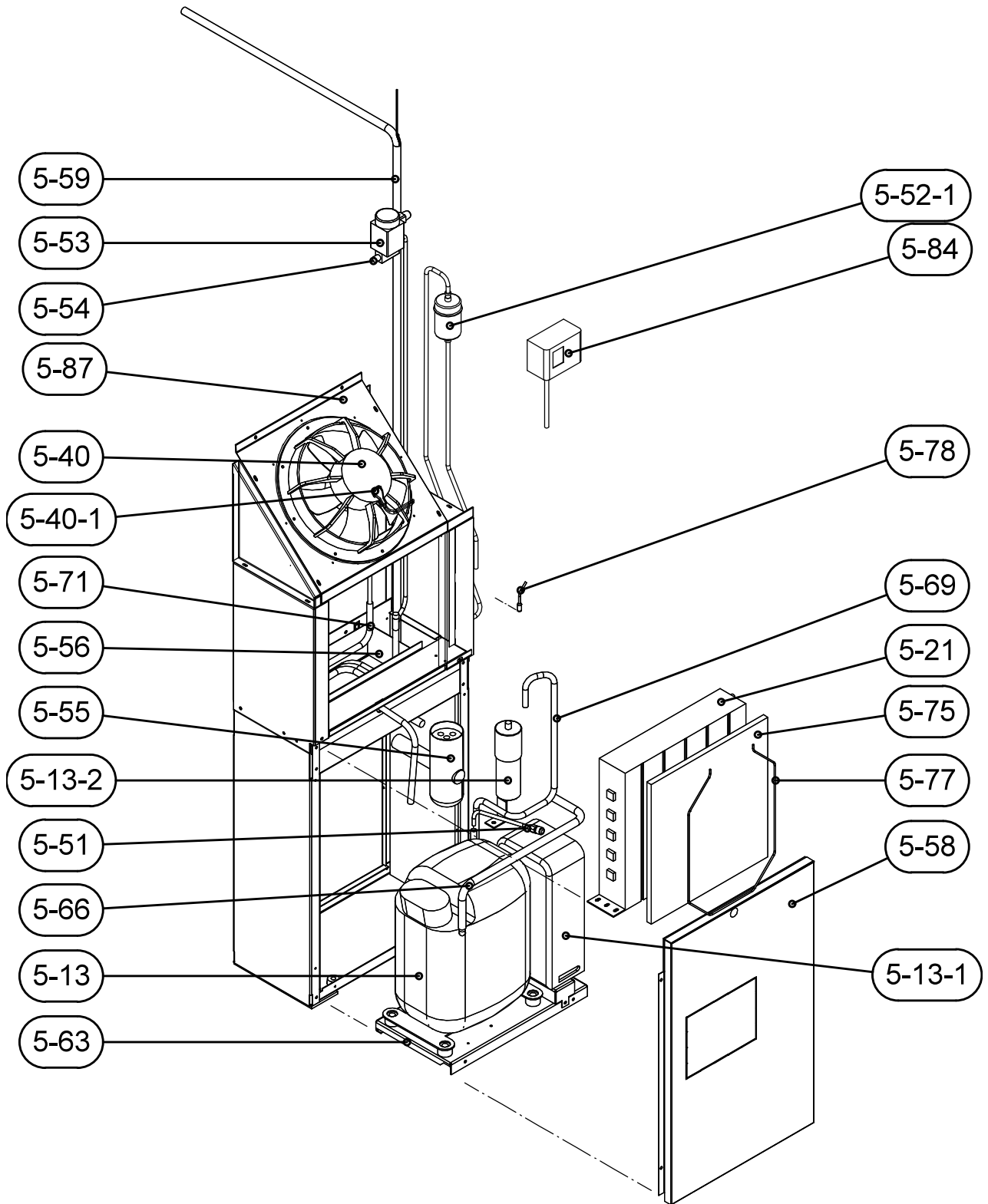
L

LAUHDUTINMODUULI, CONDENSER MODULE C940, M940



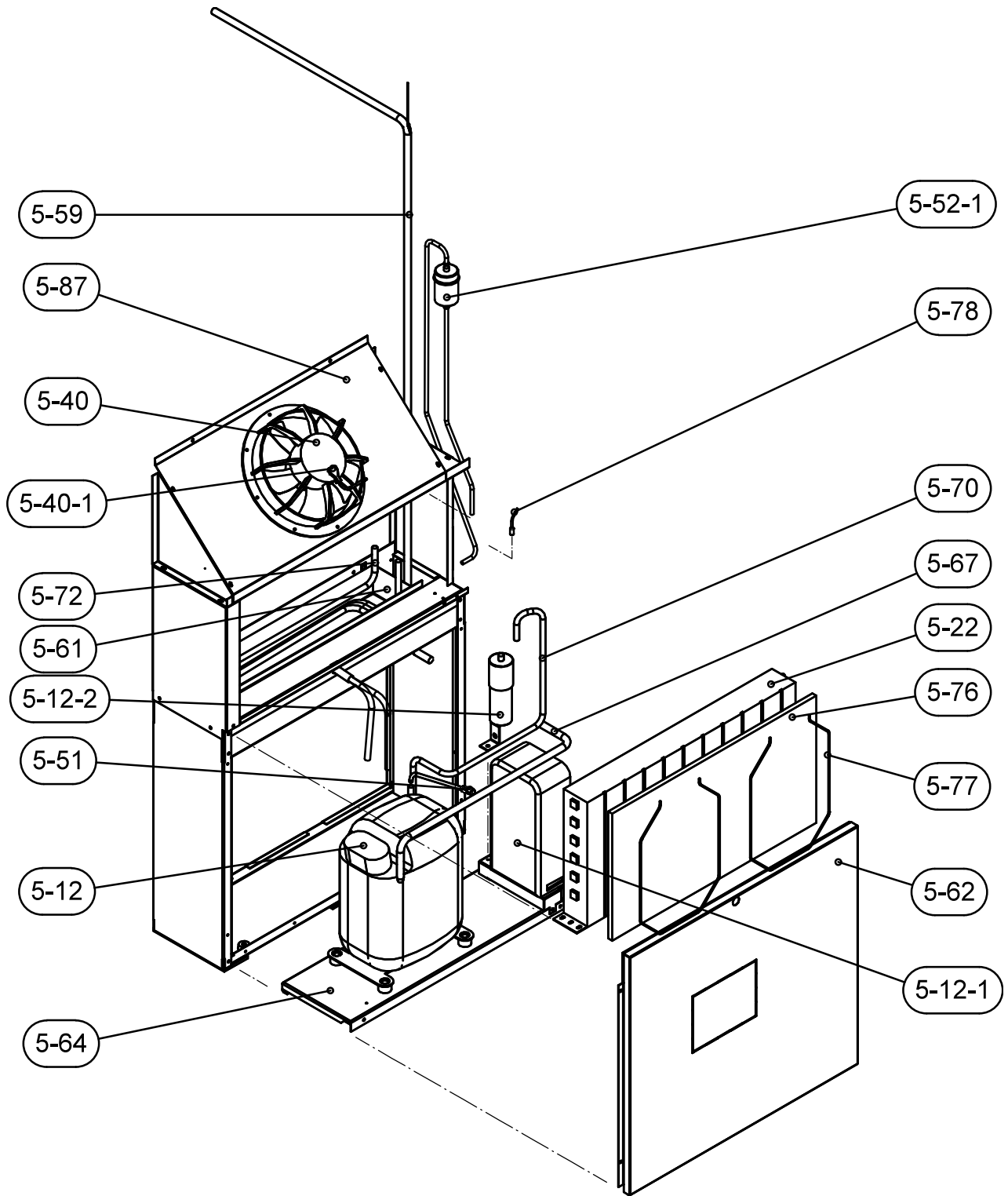
VH1555

LAUHDUTINMODUULI, CONDENSER MODULE F840



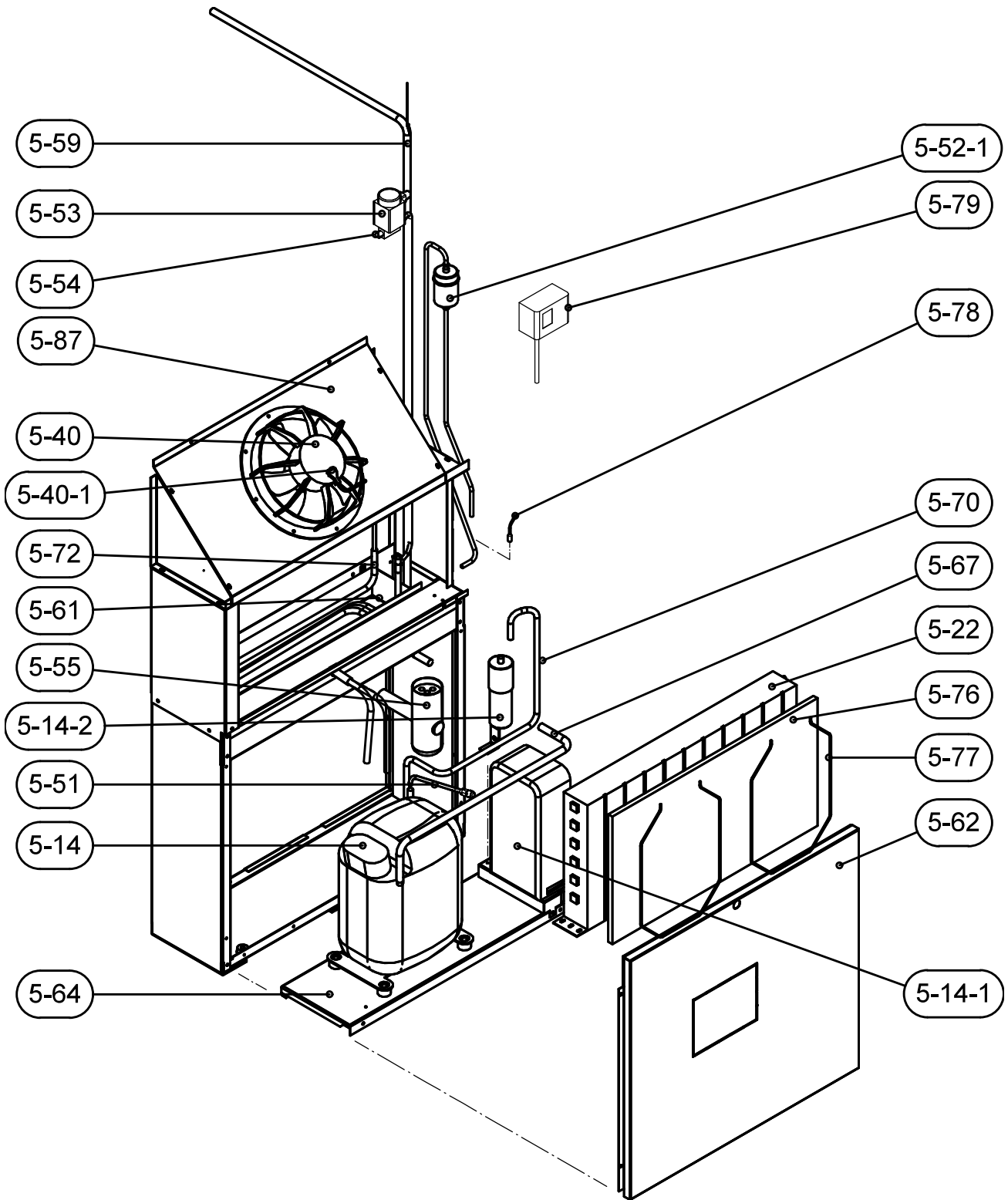
VH1556

LAUHDUTINMODUULI, CONDENSER MODULE C1240

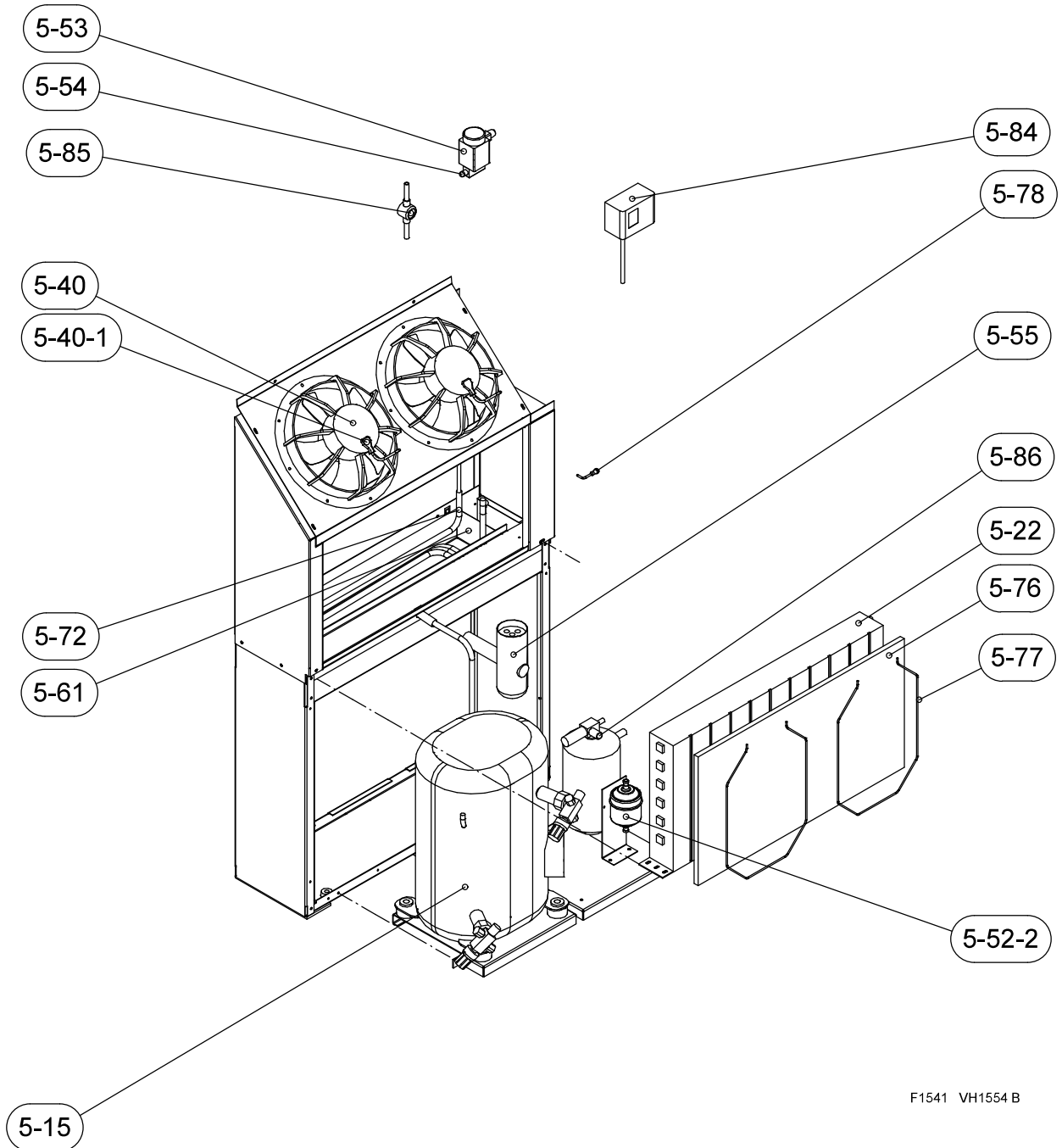


VH1557

LAUHDUTINMODUULI, CONDENSER MODULE F1140, M1240

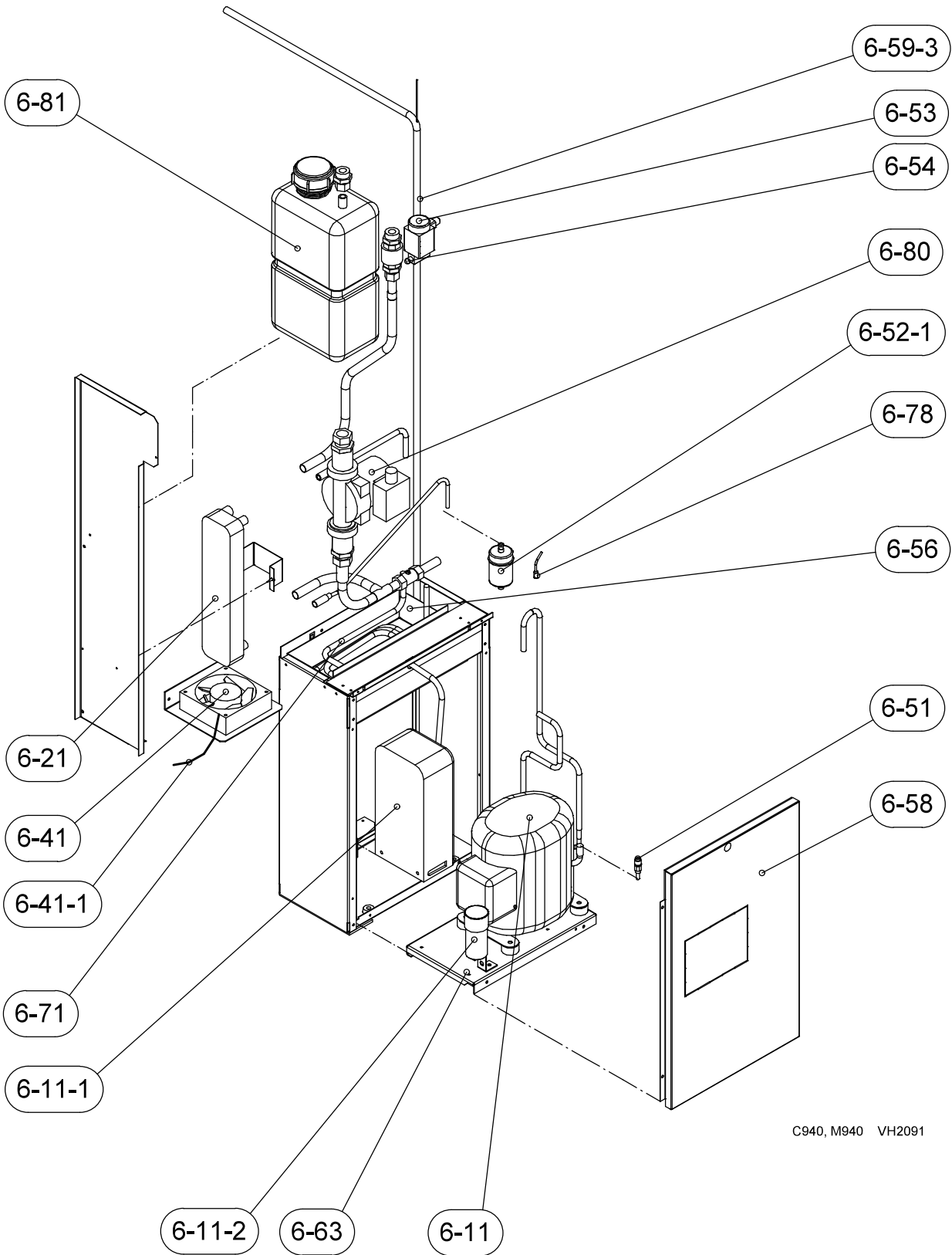


LAUHDUTINMODUULI, CONDENSER MODULE F1541



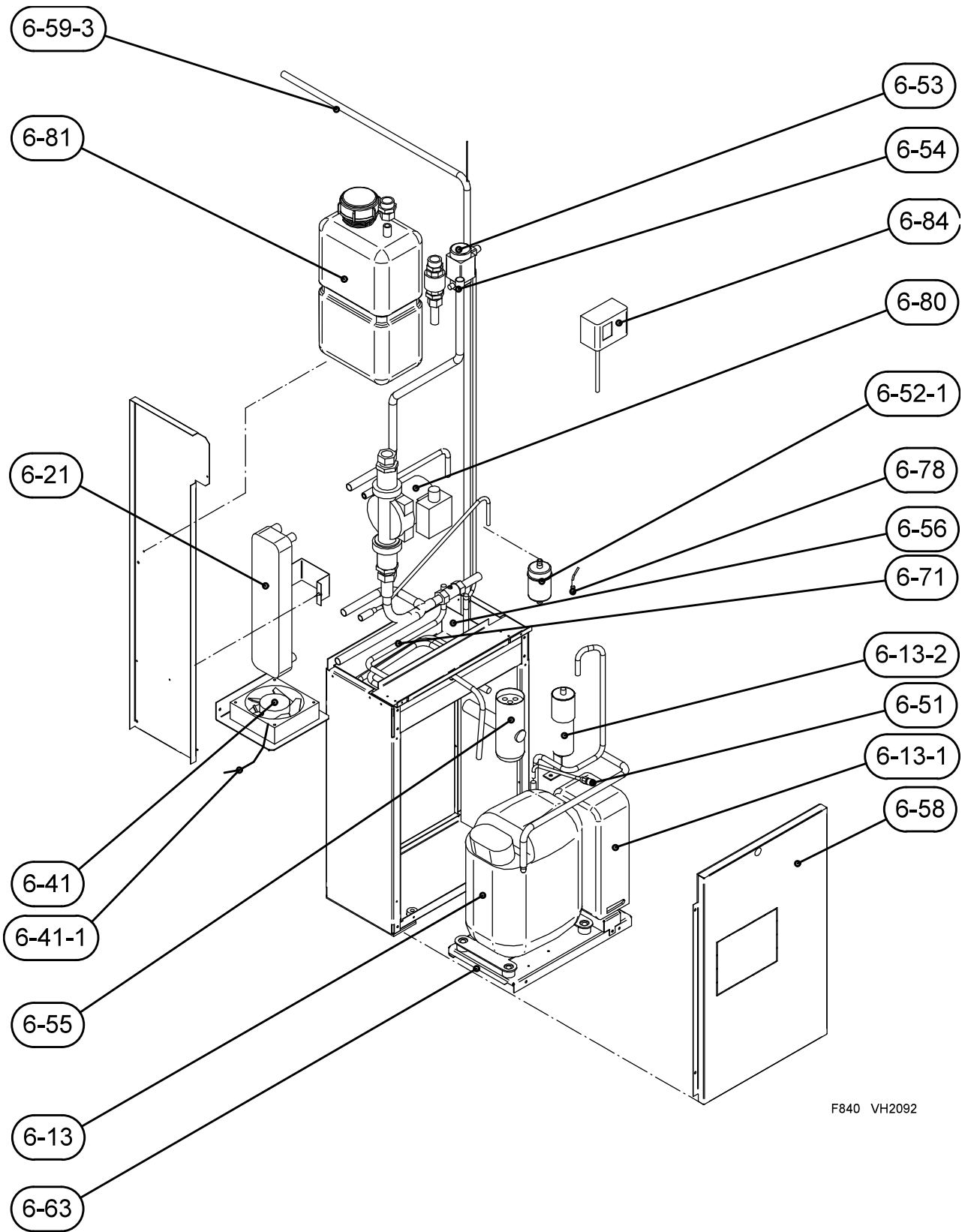
F1541 VH1554 B

LAUHDUTINMODUULI, CONDENSER MODULE C940 RHDS, M940 RHDS



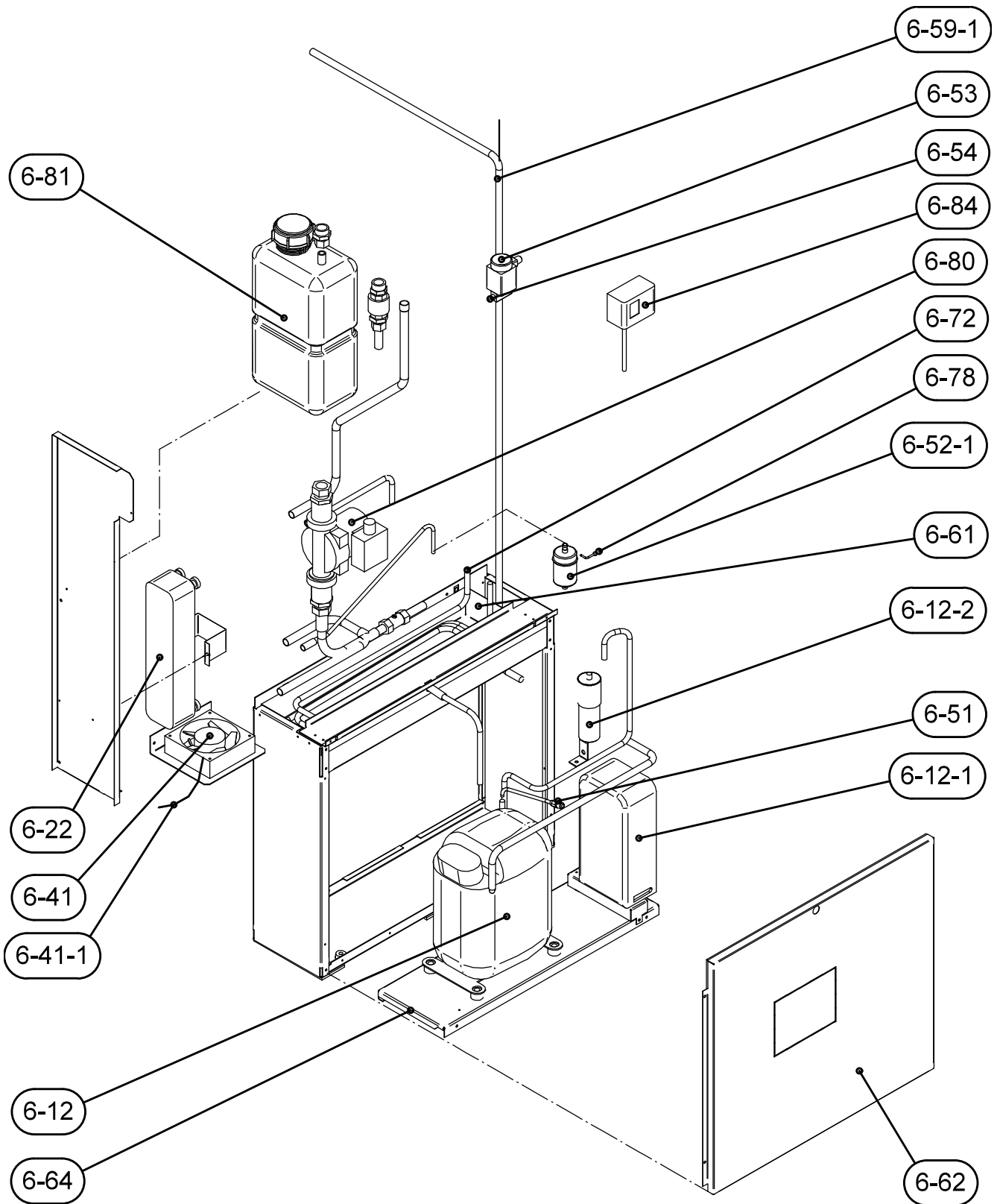
C940, M940 VH2091

LAUHDUTINMODUULI, CONDENSER MODULE F840 RHDS



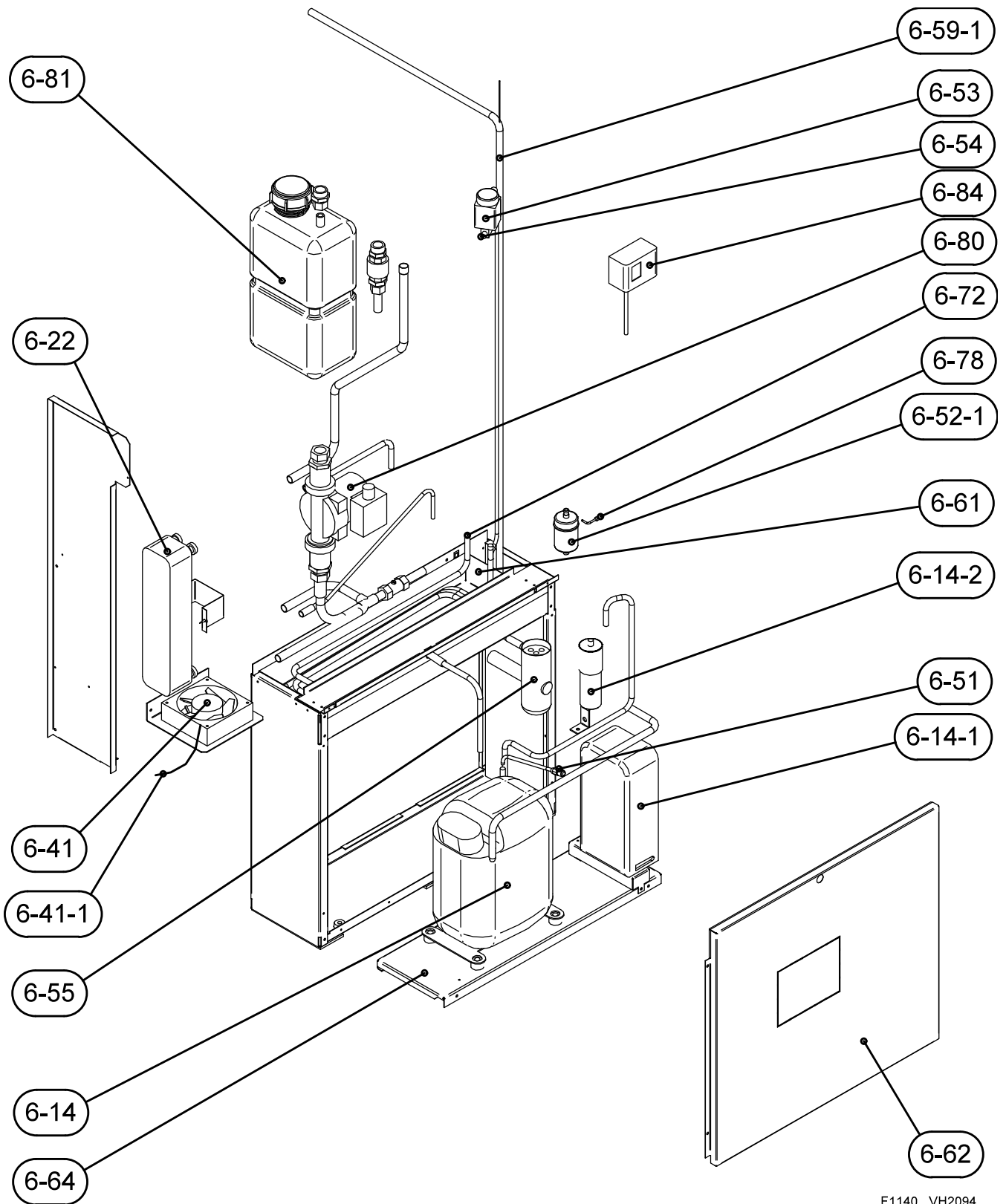
F840 VH2092

LAUHDUTINMODUULI, CONDENSER MODULE C1240 RHDS, M1240 RHDS



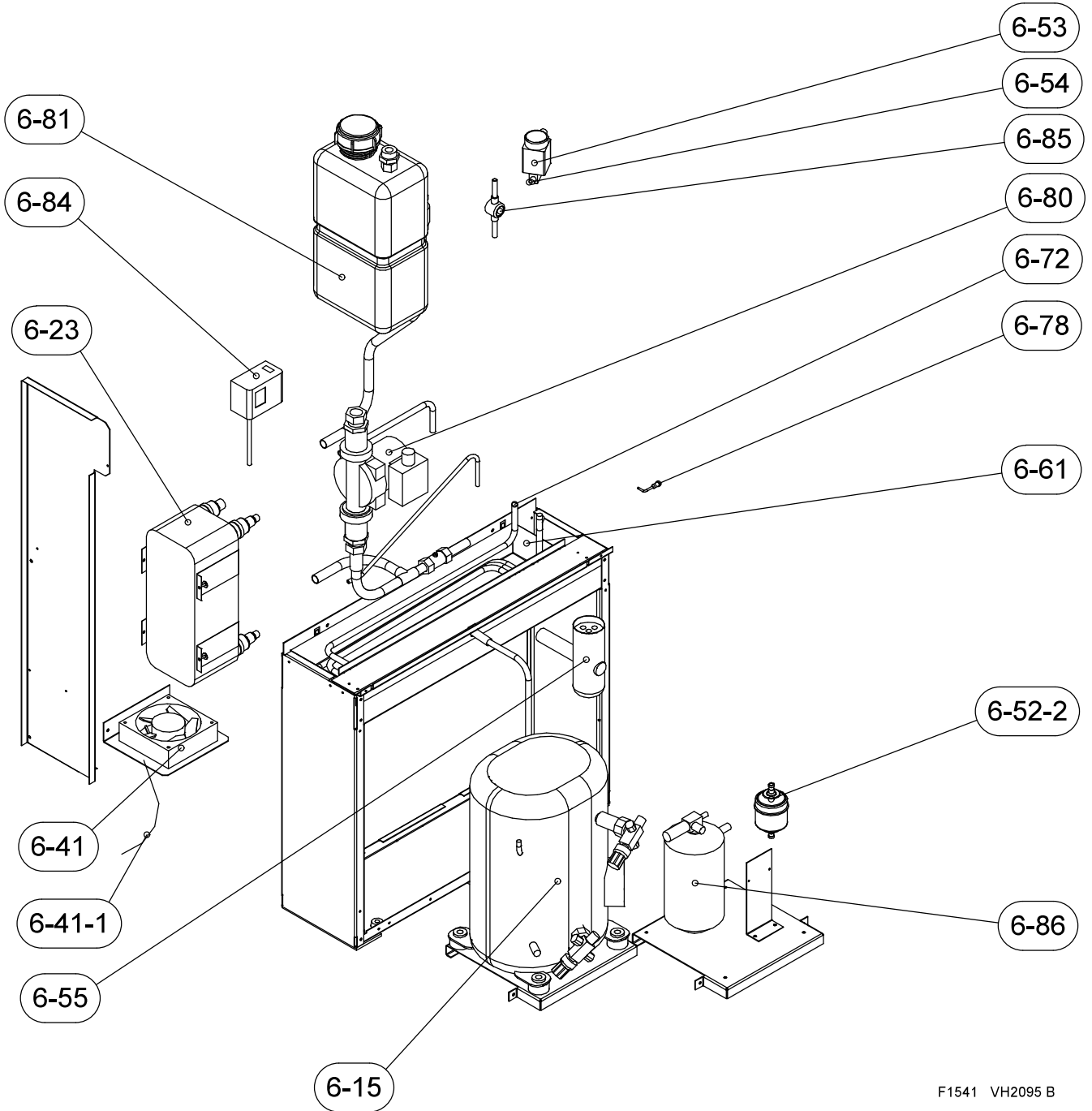
C1240,M1240 VH2093

LAUHDUTINMODUULI, CONDENSER MODULE F1140 RHDS



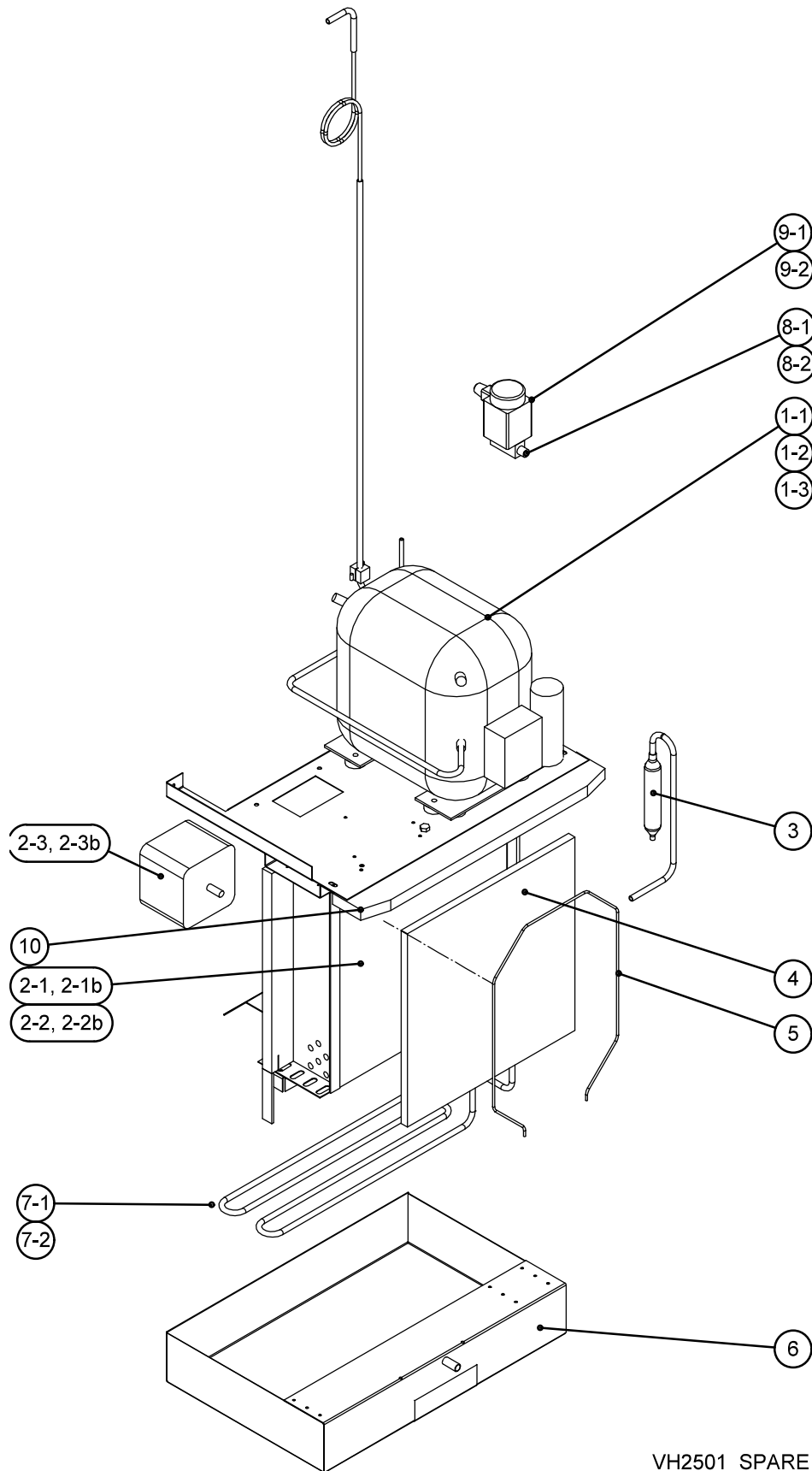
F1140 VH2094

LAUHDUTINMODUULI, CONDENSER MODULE F1541 RHDS



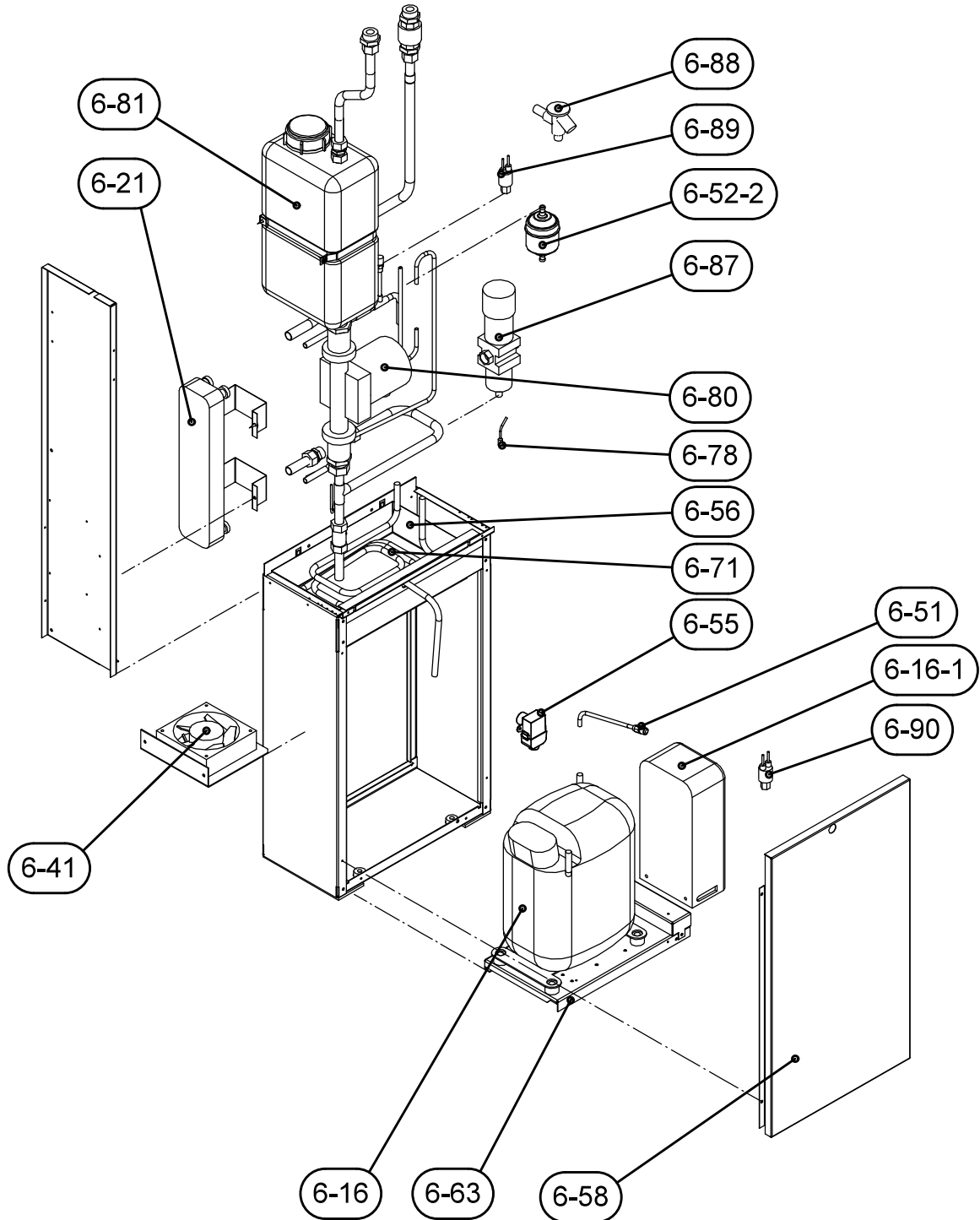
F1541 VH2095 B

LAUHDUTINMODUULI, CONDENSER MODULE C950, M950, F850, F851



VH2501\_SPARE

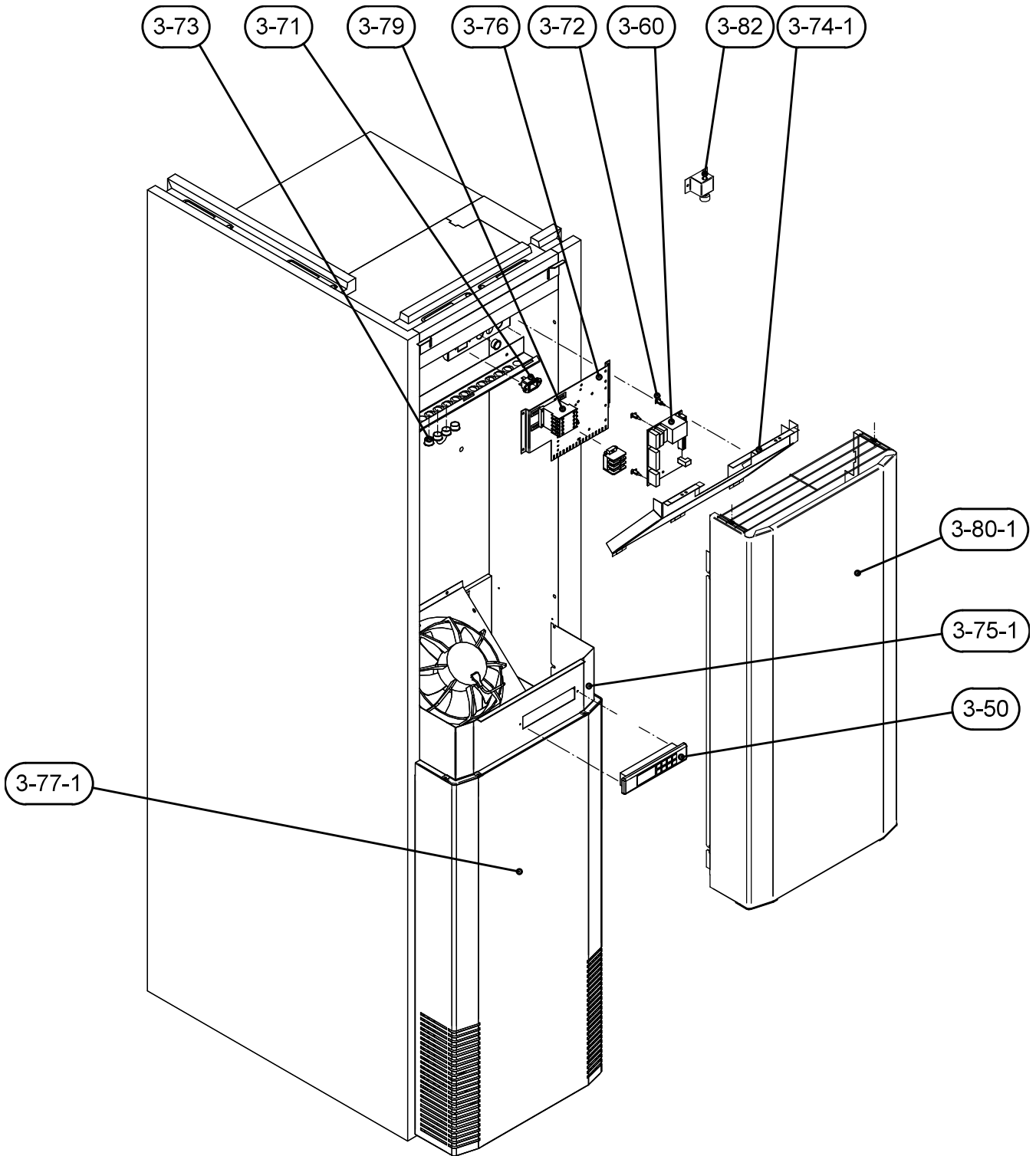
## LAUHDUTINMODUULI, CONDENSER MODULE C950B RHDS, F850B RHDS, F851B RHDS



C950B  
F850B, F51B

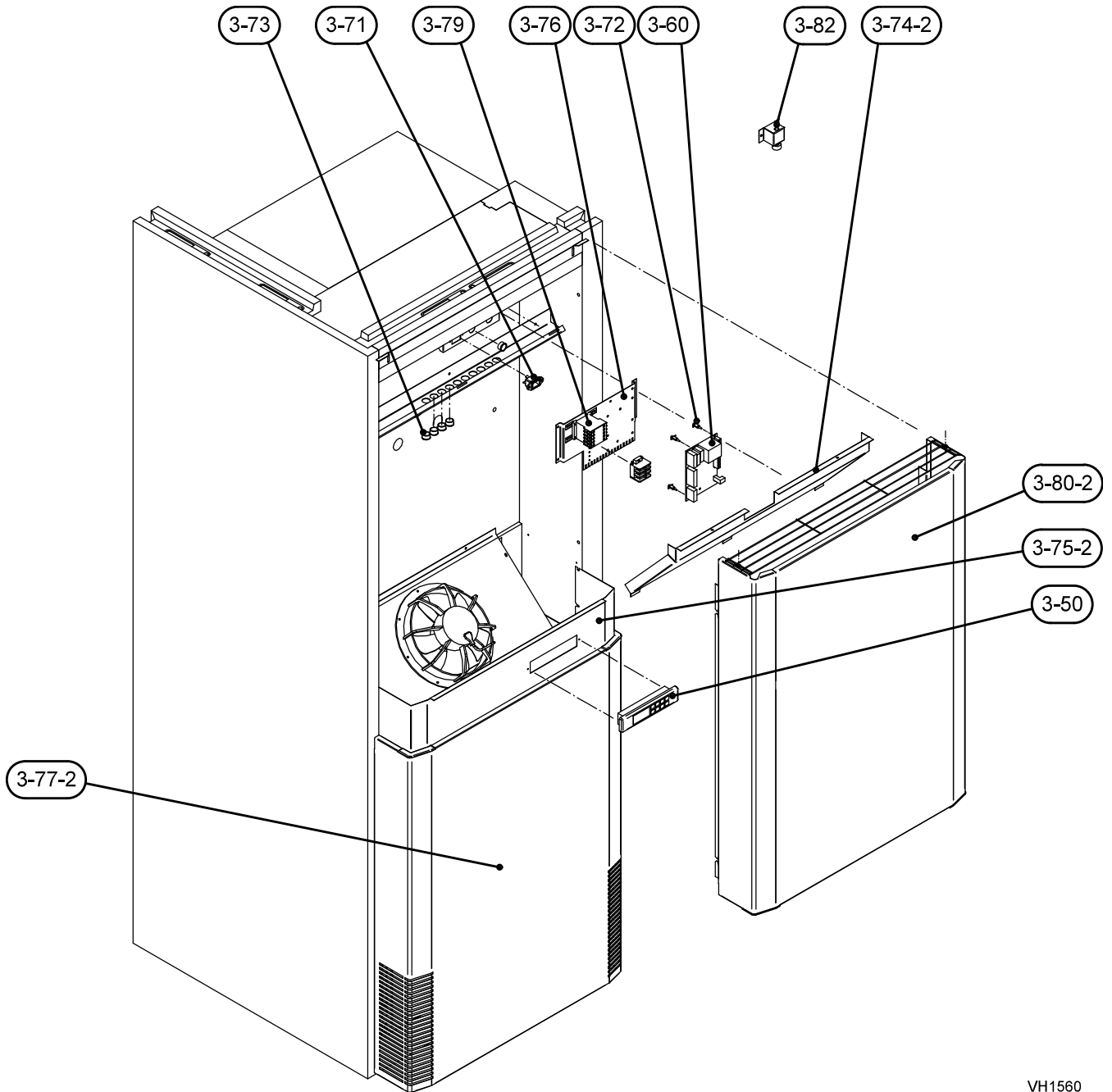
VH2680

SÄHKÖOSAT, ELECTRICAL PARTS F840, M940, C950, M950, F850, F851



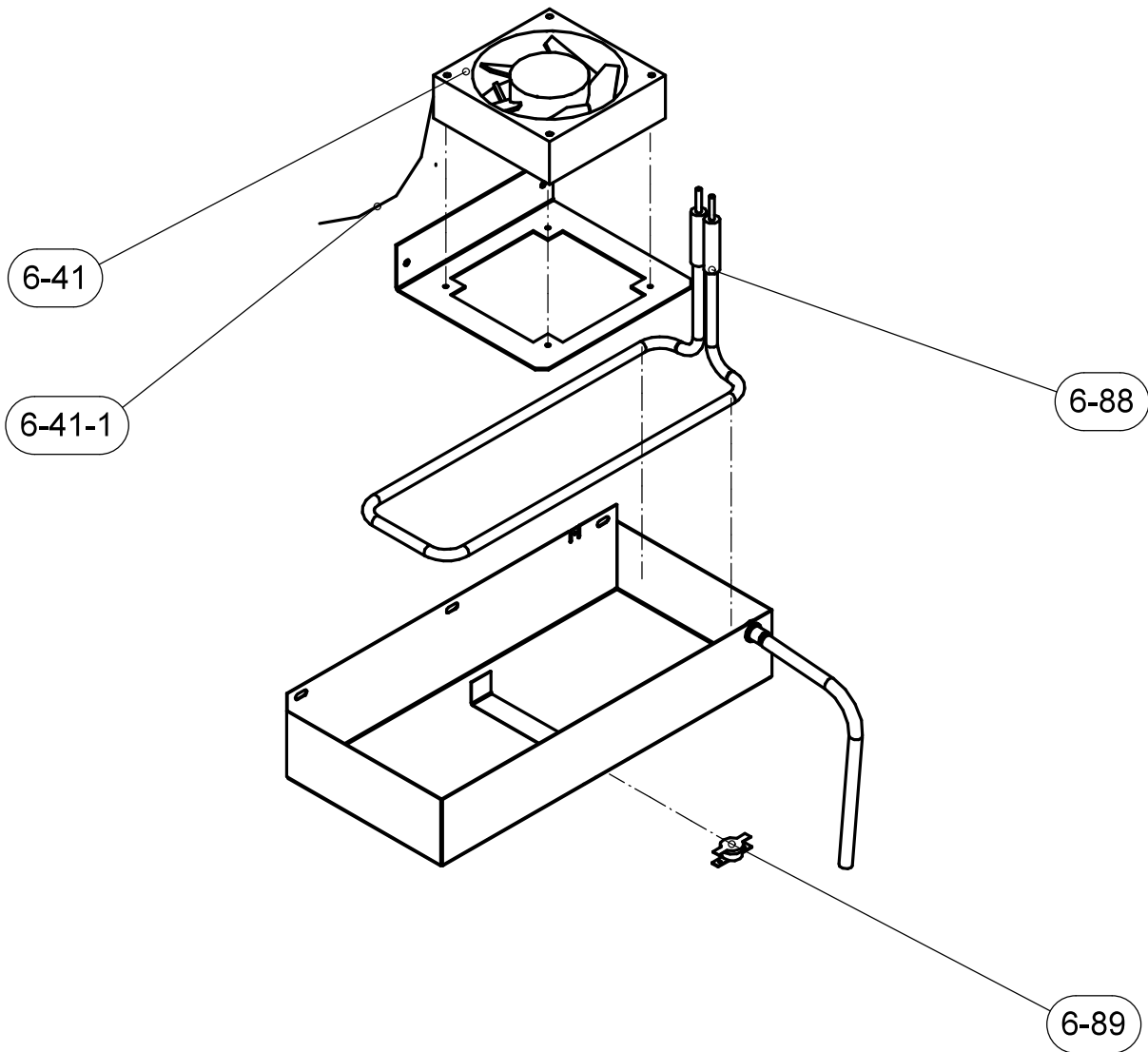
VH1559

SÄHKÖOSAT, ELECTRICAL PARTS F1140, F1541, C1240, M1240



VH1560

KESKUSKONEELLISET MALLIT KK, CENTRAL UNITS CC



CC-model VH2097

# PORKKA

Porkka Finland Oy is an internationally renowned designer and manufacturer of professional refrigeration solutions. The main areas of activity are HoReCa, medical and research and marine. Porkka is part of the Finnish Festivo-Porkka Group.

The Porkka brand is known for its quality and reliability - the long life cycle of the products, high quality and technical know-how. Porkka's success is based on decades of experience, customer-centric design and continuous product development. The materials used in Porkka products are as recyclable and environmentally friendly as possible. The recyclability of our products is over 95%.



Porkka's solutions are designed and manufactured in accordance with the quality standard ISO 9001: 2015. Porkka's quality system has been certified by Lloyd's Register. Porkka also has an environmental certificate ISO 14001: 2015 issued by LRQA.

We reserve the right to make changes without prior notice.